

# **PARTS MANUAL**

---

**FORTIS®  
H135FT, H155FT  
(H006)**

**CUSTOMER EDITION**

---

***HYSTER***



**SECTIONS**

<b>1</b>	<b>FRAME</b>
<b>2</b>	<b>ENGINE ASSEMBLY</b>
<b>3</b>	<b>FUEL SYSTEM</b>
<b>4</b>	<b>ELECTRICAL SYSTEM</b>
<b>5</b>	<b>TRANSMISSION</b>
<b>6</b>	<b>DRIVE AXLE</b>
<b>7</b>	<b>STEERING SYSTEM</b>
<b>8</b>	<b>BRAKE SYSTEM</b>
<b>9</b>	<b>HYDRAULIC SYSTEM</b>
<b>10</b>	<b>MAST-TWO STAGE LIMITED FREE-LIFT</b>
<b>11</b>	<b>MAST-THREE STAGE FULL FREE-LIFT</b>
<b>12</b>	<b>OPTIONS</b>
<b>13</b>	<b>FIELD CONVERSION KITS</b>
<b>14</b>	<b>NUMERICAL INDEX</b>

This Parts Manual is divided into 14 major sections which are listed above. Quick reference to these sections can be made by placing the right thumb on the tab of the desired section, bending the book back and thumbing the pages to the corresponding tab.



**Thanks very much for your reading,  
Want to get more information,  
Please click here, Then get the complete  
manual**

**JustClickHere** 

**NOTE:**

**If there is no response to click on the link above,  
please download the PDF document first, and then  
click on it.**

**Have any questions please write to me:  
[admin@servicemanualperfect.com](mailto:admin@servicemanualperfect.com)**

**TABLE OF CONTENTS**

<b>DESCRIPTION</b>	<b>PAGE</b>
<b>A</b>	
ACCUMULATOR .....	12-10
ADD ON OPTION KITS .....	13-3
AIR FILTER .....	3-8
AIR HEATER STARTING AID	
CUMMINS 4.5L	
DIESEL (→ S/N H006V02265F EXC. 02211, 02223-02224, 02228-02229, 02232-02233, 0224) .....	2-48
CUMMINS 4.5L	
DIESEL (S/N H006V02266F → INC. 02211, 02223-02224, 02228-02229, 02232-02233, 0223) .....	2-50
AIR INTAKE	
CUMMINS 4.5L DIESEL .....	3-6
GM 4.3L GASOLINE AND LPG (→ S/N H006V02775F) .....	3-2
GM 4.3L GASOLINE AND LPG (S/N H006V02776F →) .....	3-4
ALTERNATOR AND MOUNTING	
CUMMINS 4.5L DIESEL .....	4-36
ASSEMBLED ENGINE	
GM 4.3L GASOLINE AND LPG - SHEET 1 OF 3 .....	2-22
GM 4.3L GASOLINE AND LPG - SHEET 2 OF 3 .....	2-26
GM 4.3L GASOLINE AND LPG - SHEET 3 OF 3 .....	2-30
ATTACHMENT MOUNTING KITS .....	13-2
AUXILIARY FUNCTION HOSES .....	10-20
AUXILIARY ONE AND TWO SECTIONS	
MANUAL CONTROL VALVE - THREE AND FOUR FUNCTION .....	9-38
AUXILIARY ONE SECTION	
ELECTRONIC CONTROL VALVE - THREE AND FOUR FUNCTION .....	9-52
AUXILIARY TUBE EXTENSION KITS .....	13-5
AUXILIARY TWO SECTION	
ELECTRONIC CONTROL VALVE - FOUR FUNCTION .....	9-54
<b>B</b>	
BACK-UP ALARM .....	12-6
BATTERY CABLES	
CUMMINS 4.5L DIESEL .....	4-26
GM 4.3L GASOLINE AND LPG .....	4-16
BOLT IN FRONT WINDOW MOUNTING	
→ S/N H006V02614F .....	1-24
BRAKE AND INCHING PEDAL CONVERSION .....	13-2
BRAKE COOLING SYSTEM	
SINGLE AND DUAL PEDAL .....	8-12
BRAKE PEDAL LINKAGE	
DUAL PEDAL .....	8-6
SINGLE PEDAL .....	8-2
<b>C</b>	
CAB	
ATTACHING PARTS - SHEET 1 OF 2 .....	1-20
ATTACHING PARTS - SHEET 2 OF 2 .....	1-22
HEATER AND HOSES - GM 4.3L GASOLINE AND LPG .....	1-36
HEATER HOSES - CUMMINS 4.5L DIESEL .....	1-34

## TABLE OF CONTENTS (continued)

DESCRIPTION	PAGE
LEFT HAND DOOR ASSEMBLY .....	1-30
MAIN ASSEMBLY .....	1-18
RIGHT HAND DOOR ASSEMBLY .....	1-32
WINDOW WIPER SYSTEM .....	1-28
WINDOWS .....	1-26
CAMSHAFT AND OIL PAN	
GM 4.3L GASOLINE AND LPG .....	2-38
CARRIAGE	
THREE STAGE FULL FREE-LIFT - HOOK TYPE .....	11-20
THREE STAGE FULL FREE-LIFT - PIN TYPE .....	11-22
TWO STAGE LIMITED FREE-LIFT - HOOK TYPE .....	10-12
TWO STAGE LIMITED FREE-LIFT - PIN TYPE .....	10-14
CHARGE PUMP .....	5-38
COIL ASSEMBLY	
GM 4.3L GASOLINE AND LPG .....	2-45
COMPARTMENT PLATFORM .....	1-12
CONTROL LEVER LABELS	
MANUAL HYDRAULICS .....	1-52
CONTROL VALVE	
THREE SPEED TRANSMISSION .....	5-22
TWO SPEED TRANSMISSION (→ S/N H006V01604F) .....	5-32
TWO SPEED TRANSMISSION (S/N H006V01605F →) .....	5-36
CONTROL VALVE AND STEERING UNIT ASSEMBLY	
ELECTRONIC CONTROL - THREE FUNCTION .....	9-42
ELECTRONIC CONTROL - FOUR FUNCTION .....	9-44
MANUAL CONTROL - THREE FUNCTION .....	9-28
MANUAL CONTROL - FOUR FUNCTION .....	9-30
COOLING SYSTEM	
GM 4.3L GASOLINE AND LPG - CUMMINS 4.5L DIESEL (→ S/N H006V01944E) .....	2-8
GM 4.3L GASOLINE AND LPG - CUMMINS 4.5L DIESEL (S/N H006V01945E →) .....	2-10
COUNTERWEIGHTS AND FENDERS .....	1-40
COWL ELECTRICAL	
ELECTRIC HYDRAULIC .....	4-10
MANUAL HYDRAULIC .....	4-8
COWL MOUNT .....	1-14
CYLINDER BLOCK	
GM 4.3L GASOLINE AND LPG .....	2-36
CYLINDER HEAD	
GM 4.3L GASOLINE AND LPG .....	2-34
<b>D</b>	
DIESEL ENGINE ASSEMBLY	
CAMSHAFT - CUMMINS 4.5L .....	2-61
CRANKCASE BREATHER - CUMMINS 4.5L .....	2-68
CRANKSHAFT AND MAIN BEARINGS - CUMMINS 4.5L .....	2-80
CYLINDER BLOCK - CUMMINS 4.5L .....	2-58
CYLINDER HEAD - CUMMINS 4.5L .....	2-74
FAN DRIVE AND MOUNTING - CUMMINS 4.5L .....	2-56
INTAKE AND EXHAUST MANIFOLDS - CUMMINS 4.5L .....	2-72

**TABLE OF CONTENTS (continued)**

<b>DESCRIPTION</b>	<b>PAGE</b>
LUBRICATION SYSTEM - CUMMINS 4.5L .....	2-66
OIL PAN - CUMMINS 4.5L DIESEL .....	2-62
OIL PUMP AND FRONT GEAR COVER - CUMMINS 4.5L .....	2-64
PISTON AND CONNECTING ROD - CUMMINS 4.5L .....	2-84
REAR GEAR HOUSING - CUMMINS 4.5L (S/N H006V02266F → INC. 02211, 02223-02224, 02228-02229, 02232-02233, 0223) .....	2-52
REAR GEAR HOUSING - CUMMINS 4.5L DIESEL (→ S/N H006V02265F EXC. 02211, 02223-02224, 02228-02229, 02232-02233, 0022) .....	2-54
REAR GEAR TRAIN ACCESSORY MOUNTING COVER - CUMMINS 4.5L .....	2-71
ROCKER LEVERS - CUMMINS 4.5L .....	2-78
THERMOSTAT - CUMMINS 4.5L .....	2-57
VALVE TAPPETS - CUMMINS 4.5L .....	2-60
VIBRATION DAMPER - CUMMINS 4.5L .....	2-70
WATER PUMP AND CONNECTIONS - CUMMINS 4.5L .....	2-82
DIFFERENTIAL .....	6-8
DISTRIBUTOR ASSEMBLY GM 4.3L GASOLINE AND LPG .....	4-54
DRIVE AXLE AND ATTACHING PARTS WET BRAKE .....	6-4
DRIVE AXLE HOUSING AND HUB .....	6-6
DRIVE TIRE AND WHEEL .....	6-2
DUAL MIRRORS WITH CAB .....	12-8
WITH OVERHEAD GUARD .....	12-9
<b>E</b>	
E-HYDRAULIC CONTROL CONVERSION KITS .....	13-4
ELECTRICAL SYSTEM RIGHT HAND CHASSIS - GM 4.3L GASOLINE AND LPG .....	4-4
RIGHT HAND CHASSIS - CUMMINS 4.5L DIESEL .....	4-6
ELECTRO HYDRAULIC POPPET VALVE ELECTRONIC CONTROL VALVE - THREE AND FOUR FUNCTION .....	9-50
ELECTRONIC CONTROL LEVERS MINI-LEVER MODULE (FOUR FUNCTION) - DATE CODE 0725 THRU 0743 .....	4-46
MINI-LEVER MODULE (FOUR FUNCTION) - DATE CODE 0744 .....	4-52
MINI-LEVER MODULES - DATE CODE 0724 .....	4-42
MINI-LEVER MODULES (THREE FUNCTION) - DATE CODE 0725 THRU 0743 .....	4-44
MINI-LEVER MODULES (THREE FUNCTION) - DATE CODE 0744 .....	4-48
ELECTRONIC MINI LEVER LABELS DUAL FUNCTION .....	1-56
SINGLE FUNCTION .....	1-54
ELECTRONIC THROTTLE LINKAGE CUMMINS 4.5L DIESEL .....	3-28
ENGINE ELECTRICAL SYSTEM CUMMINS 4.5L DIESEL .....	4-20
CUMMINS 4.5L DIESEL - UL TYPE DS .....	4-24
GM 4.3L, GASOLINE AND LPG .....	4-14
ENGINE MOUNTING CUMMINS 4.5L DIESEL .....	2-14



**TABLE OF CONTENTS (continued)**

<b>DESCRIPTION</b>	<b>PAGE</b>
GM 4.3L GASOLINE AND LPG .....	2-12
EXHAUST SYSTEM	
CUMMINS 4.5L DIESEL .....	2-6
GM 4.3L GASOLINE AND LPG .....	2-4
<b>F</b>	
FAN ASSEMBLY	
CUMMINS 4.5L DIESEL .....	2-20
FAN MOUNT ASSEMBLY	
GM 4.3L GASOLINE AND LPG .....	2-32
FIRE EXTINGUISHER	
WITH CAB .....	12-4
WITH OVERHEAD GUARD .....	12-5
FLOORPLATES AND COVERS .....	1-10
FLYWHEEL AND HOUSING	
CUMMINS 4.5L DIESEL .....	2-18
GM 4.3L GASOLINE AND LPG .....	2-16
FORK POSITIONER ASSEMBLY .....	12-14
FORK POSITIONER CYLINDER .....	12-18
FORKS	
PIN TYPE .....	1-60
STANDARD TAPER - CLASS IV .....	1-58
FORWARD CLUTCH HIGH AND OUTPUT SHAFT	
THREE SPEED TRANSMISSION - FWD2 .....	5-18
FORWARD CLUTCH LOW AND SECOND SHAFT	
TWO AND THREE SPEED TRANSMISSION - FWD1, RANGE2 .....	5-16
FREE-LIFT	
THREE STAGE FULL FREE-LIFT .....	11-16
FREE-LIFT CYLINDER	
THREE STAGE FULL FREE-LIFT .....	11-18
FUEL FILTRATION SYSTEM	
CUMMINS 4.5L DIESEL .....	3-30
FUEL INJECTION PUMP AND GEAR	
CUMMINS 4.5L DIESEL .....	3-26
FUEL INJECTION SYSTEM	
CUMMINS 4.5L DIESEL .....	3-24
FUEL SUPPLY SYSTEM	
CUMMINS 4.5L DIESEL .....	3-22
GM 4.3L GASOLINE .....	3-10
GM 4.3L LPG .....	3-12
FULL SUSPENSION SEAT	
WITH AND WITHOUT ELECTRONIC CONTROLS .....	1-48
FULL SUSPENSION SWIVEL SEAT	
WITH AND WITHOUT ELECTRONIC CONTROLS .....	1-50
<b>G</b>	
GEAR PUMP	
→ S/N H006V01541E 41.3/22 CC/REV .....	9-12
S/N H006V01541E → 41.3/22 CC/REV .....	9-14

**TABLE OF CONTENTS (continued)**

<b>DESCRIPTION</b>	<b>PAGE</b>
GEAR PUMP ASSEMBLY	
→ S/N H006V01541E 41.3/22 CC/REV → S/N H006V01875E 46.5/22 CC/REV .....	9-8
S/N H006V01876E → 46.5/22 CC/REV S/N H006V01541E → 41.3/22 CC/REV .....	9-10
GM LPG REGULATOR DRAIN KIT .....	12-20
<b>H</b>	
HAND LEVERS	
FOUR FUNCTION - WITH DETENTED LEVERS .....	9-22
FOUR FUNCTION - WITHOUT DETENTED LEVERS .....	9-26
THREE FUNCTION - WITH DETENTED LEVERS .....	9-16
THREE FUNCTION - WITHOUT DETENTED LEVERS .....	9-20
HANG-ON SIDE-SHIFT CARRIAGE .....	12-12
HEADER HOSE CONVERSION KITS	
HEADER HOSES AND AUXILIARY TUBE	
THREE STAGE FULL FREE-LIFT .....	11-24
TWO STAGE LIMITED FREE-LIFT .....	10-16
HEATER .....	1-64
HEATER CONTROL .....	1-63
HOIST HOSE AND ATTACHING PARTS .....	9-65
HOOD ASSEMBLY .....	1-2
HYDRAULIC CONTROL CONVERSIONS .....	13-4
HYDRAULIC FILTER .....	9-6
HYDRAULIC SUPPLY AND RETURN .....	9-2
<b>I</b>	
IMPACT SENSOR .....	4-55
INNER MAST	
THREE STAGE FULL FREE-LIFT .....	11-6
TWO STAGE LIMITED FREE-LIFT .....	10-4
INSTRUMENT CLUSTER .....	4-12
INTERIOR PANELS AND COVERS	
→ S/N H006V02227F .....	1-4
S/N H006V02227F → INC. 02154, 02158, 02160, 02170, 02180, 02195-02198, 02 .....	1-6
INTERMEDIATE MAST	
THREE STAGE FULL FREE-LIFT .....	11-4
<b>L</b>	
LABELS	
EXTERIOR .....	1-42
INTERIOR .....	1-44
LIFTING EYE .....	12-22
LIGHT CONVERSION KITS .....	13-7
LIGHTS	
STOP, TAIL, TURN, BACKUP, AND STROBE .....	4-28
LOAD BACKREST EXTENSION .....	1-62
LOAD WEIGH ELECTRICAL .....	4-56
LPG REGULATOR	
GM 4.3L LPG .....	3-18

## TABLE OF CONTENTS (continued)

DESCRIPTION	PAGE
<b>M</b>	
MAIN LIFT	
THREE STAGE FULL FREE-LIFT .....	11-8
TWO STAGE LIMITED FREE-LIFT .....	10-6
MAIN LIFT CYLINDER	
TWO STAGE LIMITED FREE-LIFT .....	10-10
MAIN LIFT CYLINDERS	
THREE STAGE FULL FREE-LIFT .....	11-12
MAST ELECTRICAL .....	4-40
MID INLET SECTION	
MANUAL AND ELECTRONIC CONTROL VALVE - THREE AND FOUR FUNCTION .....	9-32
MISCELLANEOUS CONVERSION KITS .....	13-3
MONOTROL PEDAL ASSEMBLY .....	3-36
<b>N</b>	
NON SUSPENSION SEAT	
WITH HIP RESTRAINT .....	1-46
<b>O</b>	
OIL PUMP	
GM 4.3L GASOLINE AND LPG .....	2-46
OUTER MAST	
THREE STAGE FULL FREE-LIFT .....	11-2
TWO STAGE LIMITED FREE-LIFT .....	10-2
OUTLET SECTION	
ELECTRONIC CONTROL VALVE - THREE AND FOUR FUNCTION .....	9-56
MANUAL CONTROL VALVE - THREE AND FOUR FUNCTION .....	9-40
OUTPUT SHAFT	
TWO SPEED TRANSMISSION .....	5-30
OVERHEAD GUARD .....	1-16
<b>P</b>	
PARK BRAKE ASSEMBLY .....	8-10
POWER DISTRIBUTION MODULE .....	4-34
PUMP DRIVE .....	5-40
<b>R</b>	
REMOTE KEY SWITCH .....	4-39
REVERSE CLUTCH AND FIRST SHAFT	
TWO AND THREE SPEED TRANSMISSION - REV1, RANGE 1 .....	5-20
<b>S</b>	
SEAT CONVERSION KITS .....	13-3
SEAT PAN AND COVERS .....	1-8
SIDE-SHIFT ASSEMBLY .....	12-16
SIDE-SHIFT CYLINDER .....	12-19
SINGLE AND DUAL LPG TANK BRACKETS .....	3-20
SOUND ABATEMENT .....	1-38
STARTER	
GM 4.3L (GS AND LPS) .....	4-18

**TABLE OF CONTENTS (continued)**

<b>DESCRIPTION</b>	<b>PAGE</b>
STARTER AND MOUNT	
CUMMINS 4.5L DIESEL .....	4-38
STEER AXLE .....	7-6
STEER COLUMN AND ATTACHING PARTS	
DIESEL .....	7-2
GASOLINE AND LPG .....	7-3
STEER CYLINDER .....	7-9
STEER TIRE AND WHEEL .....	7-14
STEERING COLUMN ASSEMBLY .....	7-4
STEERING CONTROL UNIT .....	7-12
STEERING LINES .....	7-10
STROBE LIGHT	
LED .....	12-2
<b>T</b>	
THROTTLE BODY ASSEMBLY	
GM 4.3L LPG .....	3-16
THROTTLE BODY ASSEMBLY AND FUEL RAIL	
GM 4.3L GASOLINE .....	3-14
THROTTLE CABLE ASSEMBLY	
CUMMINS 4.5L DIESEL .....	3-32
THROTTLE PEDAL AND ATTACHING PARTS .....	3-34
TILT CYLINDER AND MAST INSTALLATION .....	9-58
TILT CYLINDERS .....	9-60
TILT HYDRAULICS .....	9-62
TILT SECTION	
ELECTRONIC CONTROL VALVE - THREE AND FOUR FUNCTION .....	9-48
TORQUE CONVERTER	
CUMMINS 4.5L DIESEL .....	5-6
GM 4.3L GASOLINE AND LPG .....	5-4
TRANSMISSION ASSEMBLY	
THREE SPEED - SHEET 1 OF 2 .....	5-10
THREE SPEED - SHEET 2 OF 2 .....	5-14
TWO SPEED - SHEET 1 OF 2 .....	5-24
TWO SPEED - SHEET 2 OF 2 .....	5-28
TRANSMISSION COOLING	
WITH EXTERNAL OIL COOLER .....	5-8
TRANSMISSION ELECTRICAL SYSTEM	
THREE SPEED TRANSMISSION .....	4-32
TWO SPEED TRANSMISSION .....	4-30
TRANSMISSION MOUNT .....	5-2
<b>V</b>	
VALVE ASSEMBLY, LIFT AND LOWER	
ELECTRONIC CONTROL VALVE - THREE AND FOUR FUNCTION .....	9-46
VALVE ASSEMBLY, LIFT AND TILT	
MANUAL CONTROL VALVE - THREE AND FOUR FUNCTION (→ S/N H006V01907E) .....	9-34
MANUAL CONTROL VALVE - THREE AND FOUR FUNCTION (S/N H006V01908E →) .....	9-36

## TABLE OF CONTENTS (continued)

DESCRIPTION	PAGE
VALVE COVER AND INLET MANIFOLD	
GM 4.3L GASOLINE AND LPG .....	2-42
VENT LINES .....	9-64
<b>W</b>	
WET BRAKE ASSEMBLY .....	6-10
WIRE HARNESS	
COWL WITH FORWARD/REVERSE LEVER - WITHOUT RETURN TO SET TILT .....	4-100
COWL WITH FORWARD/REVERSE LEVER - WITHOUT RETURN TO SET TILT, WITH HYDRAULIC SOLENOID .....	4-108
COWL WITH MONOTROL PEDAL - WITH RETURN TO SET TILT .....	4-96
COWL WITH MONOTROL PEDAL - WITH RETURN TO SET TILT / WITH HYDRAULIC PUMP SOLENOID .....	4-104
ELECTRONIC CONTROL VALVE - THREE FUNCTION .....	4-112
ELECTRONIC CONTROL VALVE - FOUR FUNCTION .....	4-114
ENGINE - GM 4.3L GASOLINE (→ S/N H006V02199E) .....	4-80
ENGINE - GM 4.3L GASOLINE (S/N H006V02200E →) .....	4-82
ENGINE - GM 4.3L LPG (→ S/N H006V01742E) .....	4-86
ENGINE - GM 4.3L LPG (S/N H006V01743E →) .....	4-88
ENGINE - CUMMINS 4.5L DIESEL .....	4-92
LEFT HAND CHASSIS - GM 4.3L GASOLINE .....	4-76
LEFT HAND CHASSIS - GM 4.3L LPG .....	4-78
LIGHTS - WITH OVERHEAD GUARD (→ S/N H006V02673F) .....	4-126
LIGHTS WITH OVERHEAD GUARD (S/N H006V02674F →) .....	4-128
REAR CHASSIS .....	4-116
RIGHT HAND CHASSIS - GM 4.3L GASOLINE AND LPG (→ S/N H006V02199E GAS) (→ S/N H006V01742E LPG) .....	4-58
RIGHT HAND CHASSIS - GM 4.3L GASOLINE AND LPG (S/N H006V02200E → GAS) (S/N H006V01743E → LPG) .....	4-64
RIGHT HAND CHASSIS - CUMMINS 4.5L DIESEL .....	4-70
SEALED ALTERNATOR - CUMMINS 4.5L DIESEL .....	4-124
TRANSMISSION - TWO SPEED .....	4-118
TRANSMISSION - THREE SPEED .....	4-120
WORK LIGHT JUMPER - WITH TWO STAGE MASTS .....	4-130

**ABBREVIATIONS QUICK REFERENCE SHEET**

Listed below are abbreviations used in parts manuals to denote the following expressions:

<b>TERM</b>	<b>DEFINITION</b>	<b>TERM</b>	<b>DEFINITION</b>
Amp	Amperes	FRE	Freezer Environment
AR	As Required	in.	inches
BDI	Battery Discharge Indicators	LPG	Liquefied Petroleum Gas
BWI	Brush Wear Indicator	MAP	Manifold Absolute Pressure
CE	Communicator End	mm	millimeters
CRE	Corrosive Environment	MSTS	Microprocessor Spark Timing System
D/B	Date Break	NPT	National Pipe Threads
dbA	Decibel "A" Scale	O/S	Oversize
DE	Drive End	PTO	Power Take Off
ECH	Empty Container Handler	RPM	Revolutions per Minute
ECH-3	Empty Container Handler - 3 High Stacking	S/N	Serial Number
ECH-4	Empty Container Handler - 4 High Stacking	TMM	Truck Management Module
ECH-5	Empty Container Handler - 5 High Stacking	UL Type D	Diesel-Powered Safety Rating
ECH-6	Empty Container Handler - 6 High Stacking	UL Type DS	Diesel-Powered Safety Rating
ECH-7	Empty Container Handler - 7 High Stacking	UL Type E	Battery-Powered Safety Rating
ECM	Electronic Control Module	UL Type EE	Battery-Powered Safety Rating
ECN	Engineering Change Notice	UL Type ES	Battery-Powered Safety Rating
EEPROM	Electrically Erasable Programmable Read Only Memory	UL Type G	Gasoline-Powered Safety Rating
EPA	US Environmental Protection Agency	UL Type GS	Gasoline-Powered Safety Rating
EPROM	Electrically Programmable Read Only Memory	UL Type LP	Gas-Powered Safety Rating
		UL Type LPS	LP Gas-Powered Safety Rating
		U/S	Undersize
		UL	Underwriters Laboratory
		V	Volts

## HOW TO USE THE ILLUSTRATED PARTS MANUAL

This parts manual describes and illustrates assemblies, subassemblies, and detail parts needed for service replacement.

The different constructions are indicated by keys and footnotes. The callouts correspond to descriptions found on the next page.

**HYSTER** UNIT CODE D001 NORTH AMERICA 06/2001

**TABLE OF CONTENTS**

DESCRIPTION	PAGE
AIR INTAKE AND FILTER DIESEL (⇒ D/B 11/98)	3-22
AIR INTAKE AND FILTER DIESEL (D/B 11/96 ⇒)	
AIR INTAKE AND FILTER GASOLINE AND LPG	
ALTERNATOR GASOLINE, LPG, AND DIESEL	
ALTERNATOR TYPES GS, LPS, AND DS	
AUXILIARY FUNCTION TUBE TWO AND THREE STAGE FULL F	

**SECTION 13 NUMERICAL INDEX**

PART NO.	PAGE NO.	ITEM NO.	PART NO.	PAGE NO.	ITEM NO.	PART NO.	PAGE NO.	ITEM NO.	PART NO.	PAGE NO.	ITEM NO.
142	3-4	19	10-13	25		11-27	29	12-31	12		
12445	3-32	19	10-17	6		11-31	25	16719	3-36	5	
	3-34	1	10-27	11		11-32	37	16751	3-16	27	
			11-11	6	16485	8-4	29	16849	3-34	21	
			12-21	11		8-4	45		3-38	20	
			14	13		8-8	34	16863	3-28	17	
			12	6		9-7	9	16865	3-6	18	
			3	17		9-7	19		4-27	41	
			9	10		9-11	9	16882	9-7	30	
			23	46		9-11	17		9-11	27	
			27	46		10-9	21		10-10	36	
			26	14		10-9	28		10-13	32	
			28	14		10-13	16		11-7	24	
			50	14		11-7	19		11-9	17	

**SECTIONS**

- 1
- 2
- 3
- 4
- 5 BRAKE/ACC
- 6
- 7 MAST-TWO STAG
- 8 MAST-THREE ST
- 9 MAST-TWO ST
- 10
- 11

**TRANSMISSION HOUSING** ⇒ S/N D001H-2628

KEY:  
A: Diesel  
B: Gasoline and LPG

ITEM	PART NO.	DESCRIPTION	QTY	
			A	B
1	202547	Transmission	1	1
2	2023329	Transmission	1	1
3	2021670	Case	2	2
4	2023418	Bearing Cap	4	4
5	296429	Washer	4	4
6	293947	Bolt	1	1
7	2021390	Cover	2	2
8	1371656	Colter Pin	4	4
9	2021915	O-Ring	1	1
10	2021329	Plug	4	4
11	2021675	Housing	22	22
12	2021336	Pin	39	39
13	287860	Bolt	1	1
14	292682	Lockwasher	1	1
15	2021345	Hydraulic Pump	1	1
16	214364	⇒ Figure 5-3	8	8
17	296418	Gasket	1	1
18	2021388	Bolt	1	1
19	2021389	Washer	1	1
20	2021383	Temperature Switch	1	1
21	292515	Breather	9	9
22	136692	Dipstick	9	9
23	292527	Bolt	2	2
24	292531	Nut	3	3
25	292583	Capcrew	3	2
26	293637	Lockwasher	4	4
	296420	Lockwasher	4	4
	996403	Bolt	1	1
	996405	Washer	1	1
		Transmission Kit (Includes Item 7)	1	1
		Transmission Kit (Includes Item 14)	1	1

This Parts Manual is divided into 11 major sections which are listed above. Quick be made by placing the right thumb on the tab of the desired section, bending the pages to the corresponding tab.

© Copy Right Date HYSTER COMPANY See Service Manual for service procedures. 5-15

HP990004

## HOW TO FIND THE DESIRED PART NUMBER

### WHEN THE PART NUMBER AND THE NEXT HIGHER ASSEMBLY IS NOT KNOWN:

1. Determine the function and application of the part required. Turn to the Sections Page. Choose the general area of reference most likely to include the part.
2. Turn to the section you chose. Use the Section Table of Contents to determine the assembly which would normally contain the part required. Then locate the part on the assembly breakdown page.

### WHEN THE PART NUMBER IS NOT KNOWN AND THE NEXT HIGHER ASSEMBLY IS KNOWN:

3. Determine the assembly the required part is used on. Turn to the Table of Contents (Page i).
4. Locate the assembly the required part is used on and turn to the page indicated for that assembly. Then locate the part on the assembly breakdown page.

### WHEN THE PART NUMBER IS KNOWN:

5. Use the Numerical Index (Page 14-1) to find the part number. Turn to the page listed and locate the part as indicated by the item number.

### GENERAL:

The assembly breakdowns include part numbers, descriptions, quantities required, keys and footnotes to help in selecting correct parts.

6. Parts Supersession Information. Part numbers that have this history will be displayed in the parts list in the order that they were superseded (from oldest to newest). The superseded part numbers will be shown with a line through them.

Five periods in the PART NO. column (. . . . .) indicate that the part is either *Not Serviced Separately* or there is a reference to another figure. A figure reference is denoted by a pointing hand followed by a figure number in the DESCRIPTION column (☞ Figure 10)

7. Keys are used to show two or more similar assemblies, RH and LH assembly parts, etc. Select the appropriate key, "A", "B", "C", "D", or "E" and the corresponding quantity column to find the required parts. Two periods in the QTY column (..) indicate that the part is not used for that assembly.
8. Indented descriptions under the DESCRIPTION column are used to indicate assemblies and

subparts of assemblies. In the example on the previous page, *BEARING CAP* (Item 2) is a subpart of the major assembly *CASE*.

9. Quantities shown are for one assembly. The quantities of the subpart *BEARING CAP* are indicated as two and two. This means two per *CASE* assembly.
10. Serial number breaks identify the most current parts information and are shown as follows:
  - **S/N D001H2628**  
Indicates last serial number affected.
  - S/N D001H2629** →  
Indicates the first serial number affected.
  - S/N D001H1553** ↔ **S/N D001H3291**  
Indicates a range of serial numbers affected.

ECN numbers for pending serial numbers are shown to allow for the inclusion of the most current parts information and are identified as follows:

→ **S/N Pending Per ECN 63243**

Indicates a pending serial number for last unit affected.

**S/N Pending Per ECN 63243** →

Indicates a pending serial number for first unit affected.

Date breaks are used to indicate when a change occurred but a subsequent serial number break was not recorded. This is an arbitrary date usually based on the ECN release and are identified as follows:

→ **D/B 3/00**

Indicates that a change occurred sometime within that month for the item affected.

**D/B 3/00** →

Indicates that a change occurred sometime within that month for the item affected.

**D/B 3/00** ↔ **D/B 4/00**

Indicates a range of production dates of the item affected.

Contact your local dealer for Hyster lift trucks for serial number information for items with a ECN or a date break.

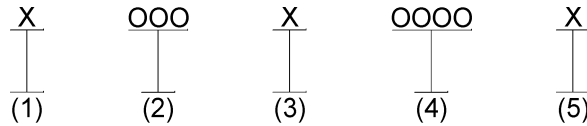
### ORDERING PARTS:

When ordering replacement parts, give the unit serial number, part number, name of part and quantity required.

For any further information on parts, service, or ordering, consult your local dealer for Hyster lift trucks.

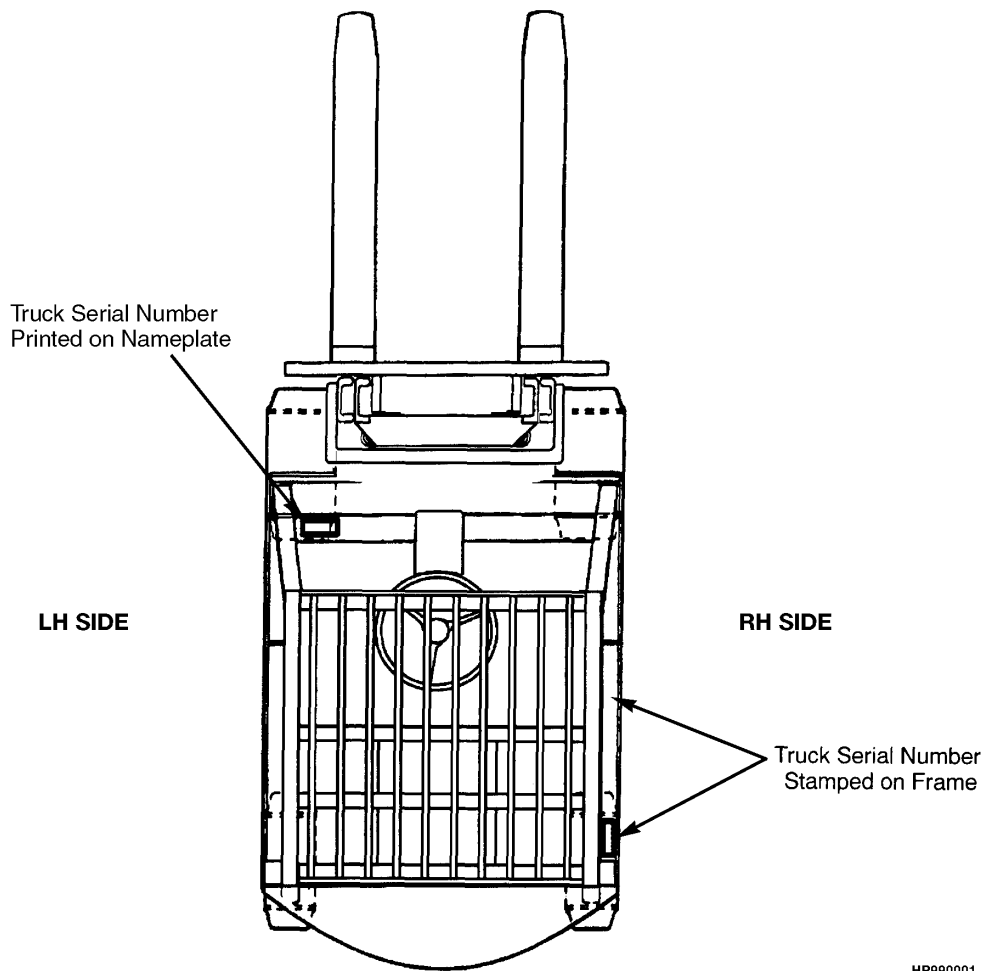


## IDENTIFICATION OF TRUCK SERIAL NUMBERS



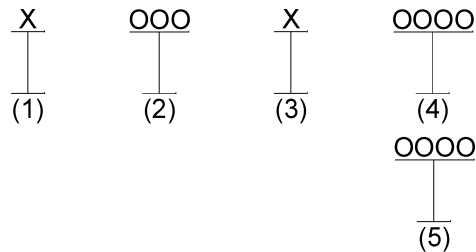
- (1) and (2) The first letter and three numbers indicate the truck unit code.
- (3) The second letter indicates the plant of manufacture.
- (4) The four or five digit number indicates the production sequence number of the truck.
- (5) The final letter indicates the year of manufacture starting with "A" in 1957, 1980, and 2003. The letters "I", "O", and "Q" will not be used.

For pending serial numbers contact your local dealer for Hyster lift trucks.



HP990001

Parts referred to in this book as right or left hand parts are in accordance with the illustration above.

**IDENTIFICATION OF MAST SERIAL NUMBERS**

- (1) and (2) The first letter and number indicates the mast unit code.
- (3) The second letter indicates the plant of manufacture.
- (4) The four or five digit number indicates the production sequence number of the mast.
- (5) Carriage travel in millimeters stamped just below the serial number.

Mast Group identification consists of mast unit code (1) and (2) plus carriage travel (5).

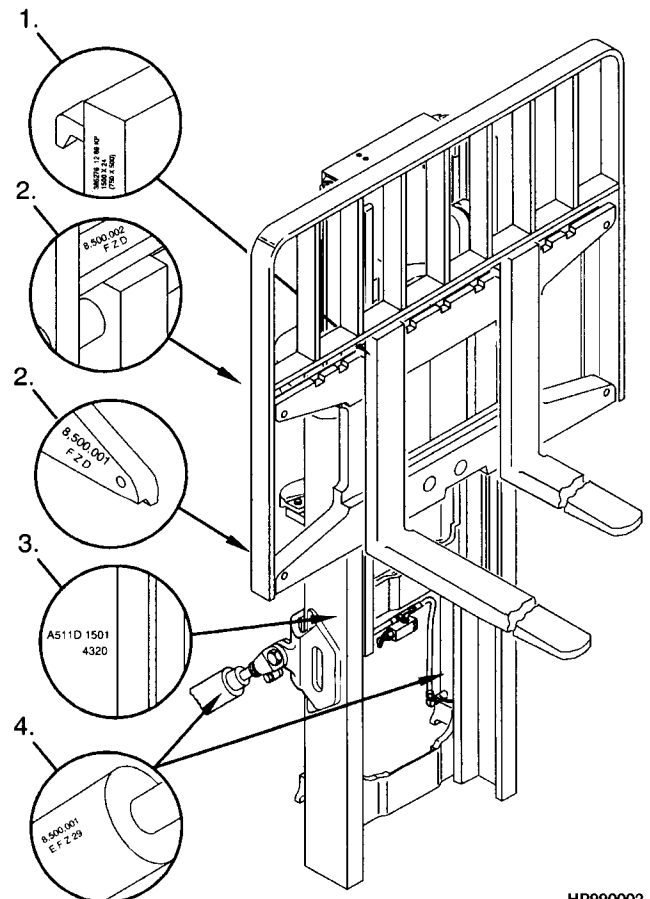
For pending production sequence numbers contact your local dealer for Hyster lift trucks.

**LIFT EQUIPMENT IDENTIFICATION**

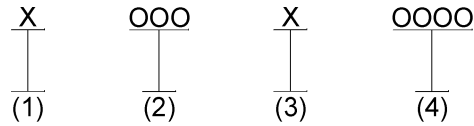
1. Fork part number, capacity rating, plant code letter, and date of manufacture are stamped approximately six inches below the top of most forks.
2. The carriage group number is stamped on the right hand side of the top crossmember (pin type) or on the back of the right hand end of the bottom crossmember (hook type). A date code has two letters in line with or below the carriage group number.
3. The mast identification number has a unit code, a letter indicating the plant of manufacture, and a serial number. Underneath the production sequence number is a four digit number that indicates the carriage travel in millimeters.
4. Tilt and lift cylinder group numbers are stamped on the cylinder shell.

Always refer to the group, serial, or part number when ordering service parts.

Modification of masts and carriages by SPED (Special Products Engineering Department) are identified by a model prefix code beginning with the letter "S". contact your dealer for Hyster lift trucks for information on these assemblies.



HP990002

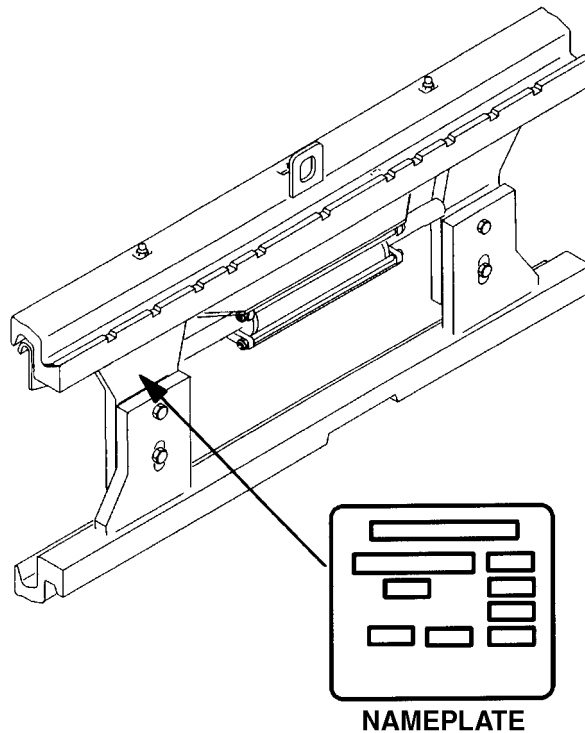
**IDENTIFICATION OF ATTACHMENT AND SIDE-SHIFT CARRIAGE SERIAL NUMBERS**

(1) and (2) The first letter and three numbers indicate the attachment unit code.

(3) The second letter indicates the plant of manufacture.

(4) The four or five digit number indicates the production sequence number.

For pending production sequence numbers contact your local dealer for Hyster lift trucks.



HP990003

Side-shift carriages and attachments have nameplates. Use the serial number found on the nameplate to identify the attachment.

Always refer to the group, serial, or part number when ordering service parts.

Modifications of attachments and side-shift carriages by SPED (Special Products Engineering Department) are identified by a model prefix code beginning with the letter "S". Contact your dealer for Hyster lift trucks for information on these assemblies.

**PUBLICATIONS**

Every new lift truck is provided with an OPERATING MANUAL. This manual has information that the operator must know for inspection and operation of the lift truck.

SERVICE MAINTENANCE MANUALS, which provide service and overhaul procedures, and PARTS

MANUALS with complete replacement part identification, are available at a nominal fee from your Hyster dealer to assist users in effectively maintaining Hyster lift trucks in a safe, useful condition. See the list below for information on ordering specific publications for this model lift truck.

<b>PUBLICATION</b>	<b>HYSTER PART NUMBER</b>
Operating Manual.....	1653165
Service Manual (Complete).....	1653211
Parts Manual.....	1653203